

**vivre**<sup>®</sup>

# WoodClad

WPC EXTERIOR PROFILE

DESIGNED TO RESIST **WEATHER**

Exterior surfaces made from  
**WOOD POLYMER COMPOSITE (WPC)**  
for absolute protection from all types  
of weather from the house of

**vivre**<sup>®</sup> **PANELS**



# SPECIFICATIONS & FEATURES

---

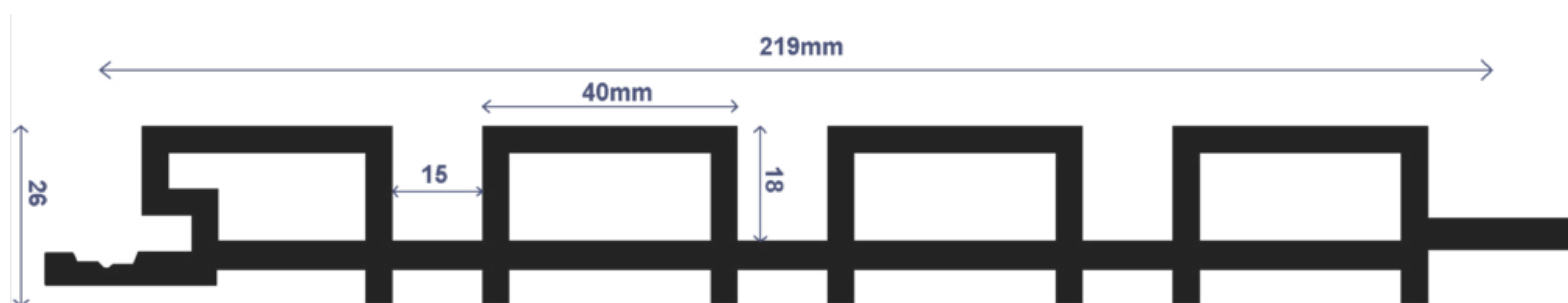
Core: Wood Plastic Composite (WPC)

Finished: Co-extrusion WPC Layer

Height: 9ft (2750mm)

Width: 8.62 inches (219mm)

Thickness: 26mm



Note: This catalogue contains pictures of original wood cladding samples. ZOOM IN to see the actual texture of each Profile.



Anti Mold



100% Termite Proof



Eco - Friendly



Pre - Finished



Fire Retardant



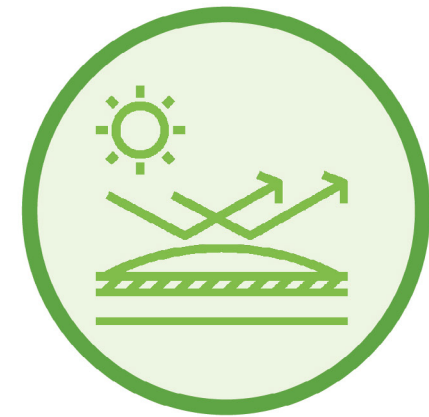
100% Water Proof



Anti Warp  
& Crack



Interlocking



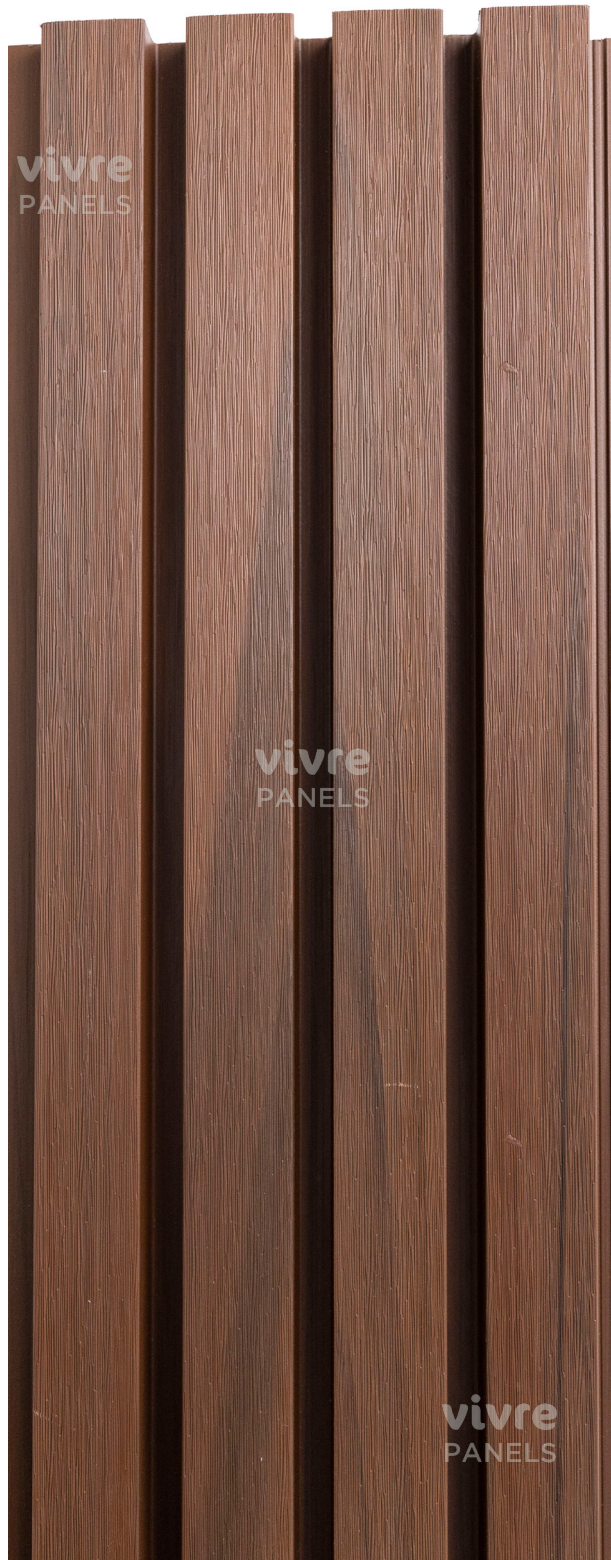
Anti UV



100% Weather Proof



# WOODCLAD DESIGNS



VPEX 1

AFRICAN TEAK

**vivre**  
PANELS

**vivre**  
PANELS

**vivre**  
PANELS



VPEX 2

BURMA TEAK

**vivre**  
PANELS

**vivre**  
PANELS

**vivre**  
PANELS



vivre  
PANELS

vivre  
PANELS

vivre  
PANELS

VPEX 3  
WALNUT

**vivre**  
PANELS

**vivre**  
PANELS

**vivre**  
PANELS



VPEX 4

SUPER MATT  
LIGHT GREY

**vivre**  
PANELS

**vivre**  
PANELS

**vivre**  
PANELS



VPEX 5

SUPER MATT  
ENGLISH GREY

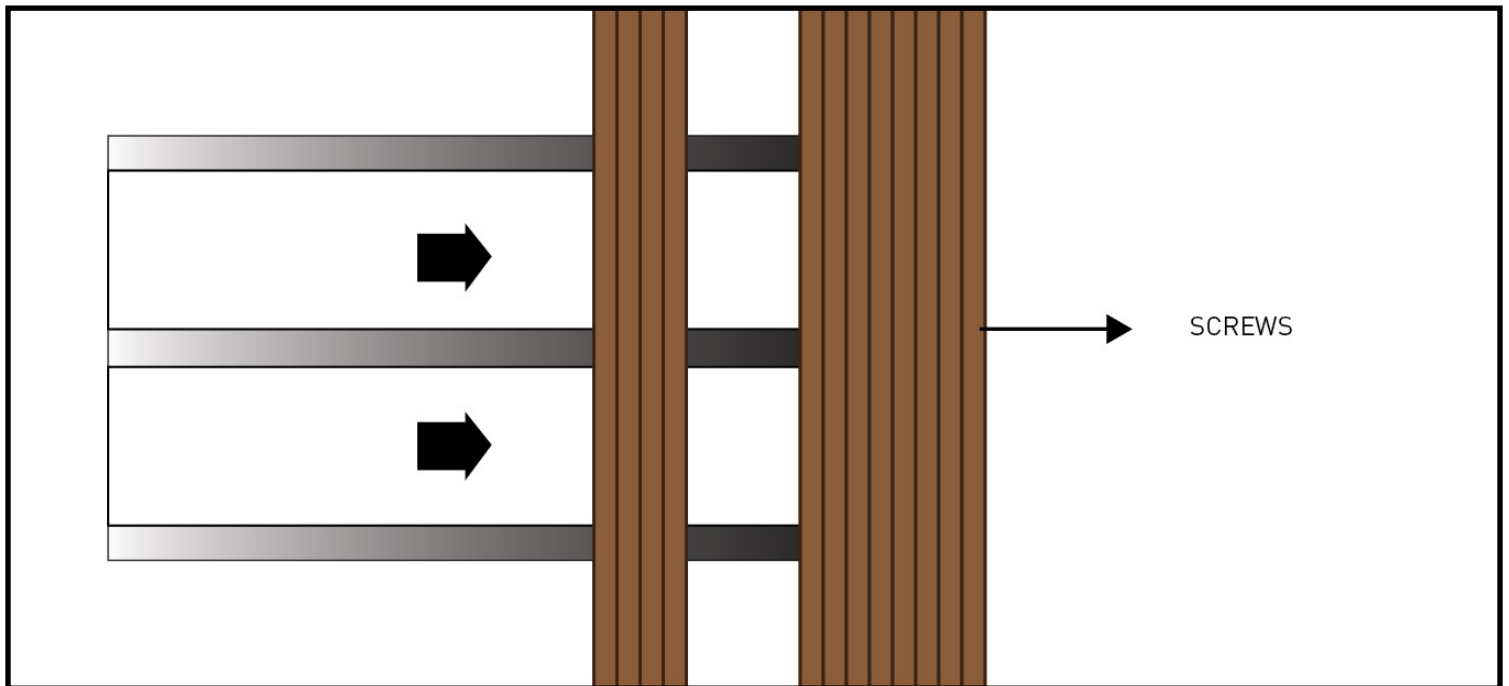
**vivre**  
PANELS

**vivre**  
PANELS

**vivre**  
PANELS



## **INSTALLATION PROCESS**



Step 1- Panel the wall with the help of Joist, distance between the two joists / any other base should be 30cm - 35cm.

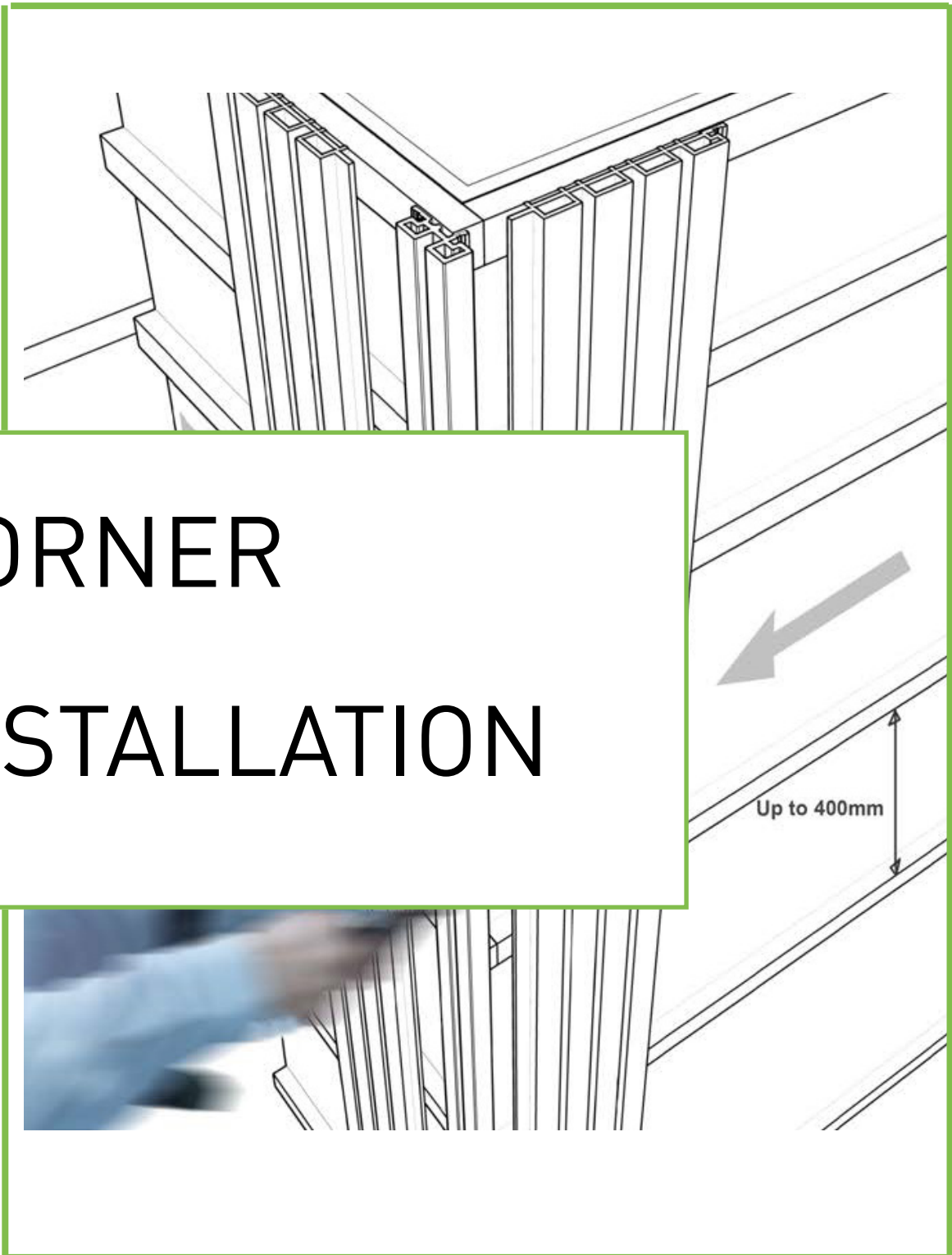
Step 2- Start with fixing the first piece of panel -: Drill the stainless steel screws at every 2 feet distance on the lower side of this first panel

Step 3- Overlap the upper side of the second panel on the first panel.

Step 4- Again, drill the screws on the lower of the second panel at every 2 feet distance

Step 5- As we repeat this process you can see the screws are hidden and we get perfectly constant paneling

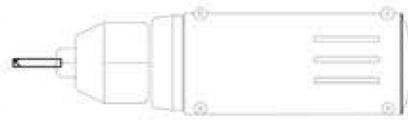
# CORNER INSTALLATION



# Corner Options

Base Structure

Option 1  
L Trim



## Architectural Corner Ideas

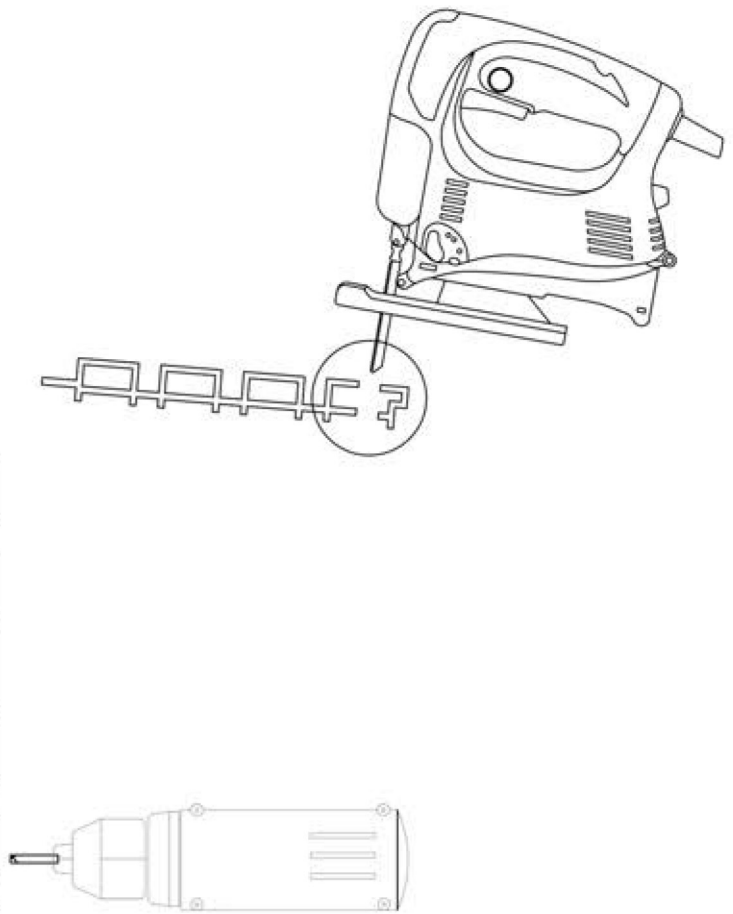
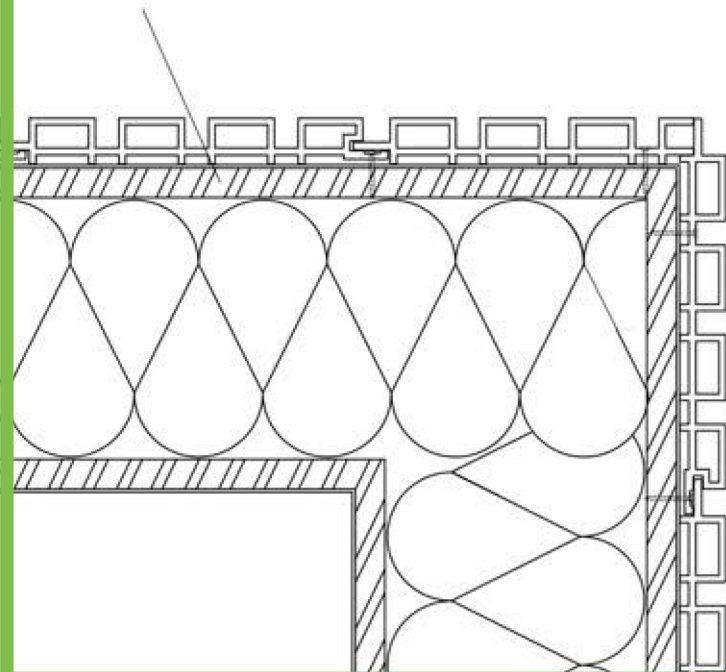
Corner intercepts without using  
an outside corner trim

Option 2



## Option 3

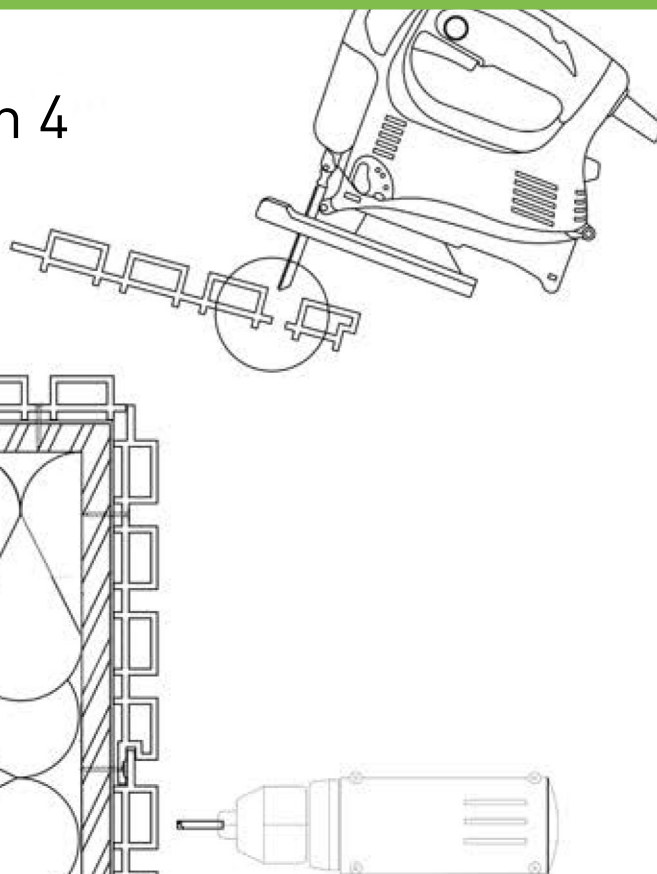
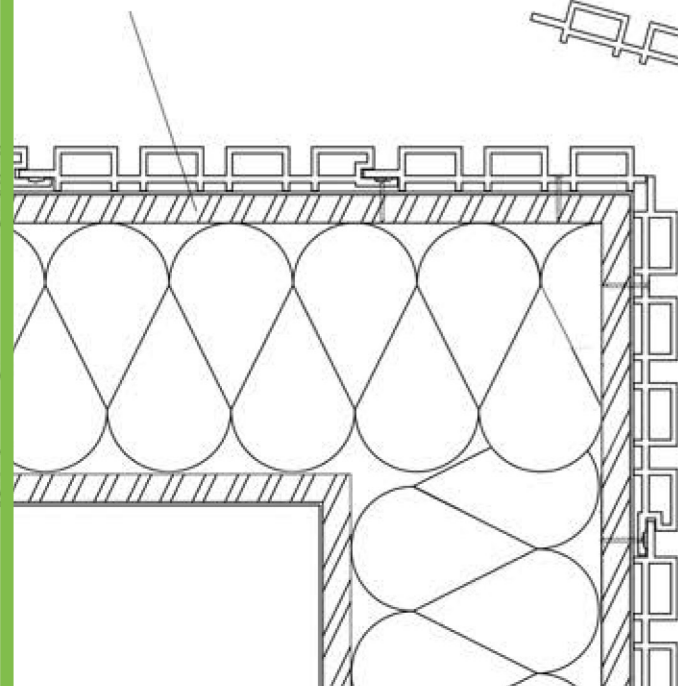
Base Structure



## Architectural Corner Ideas

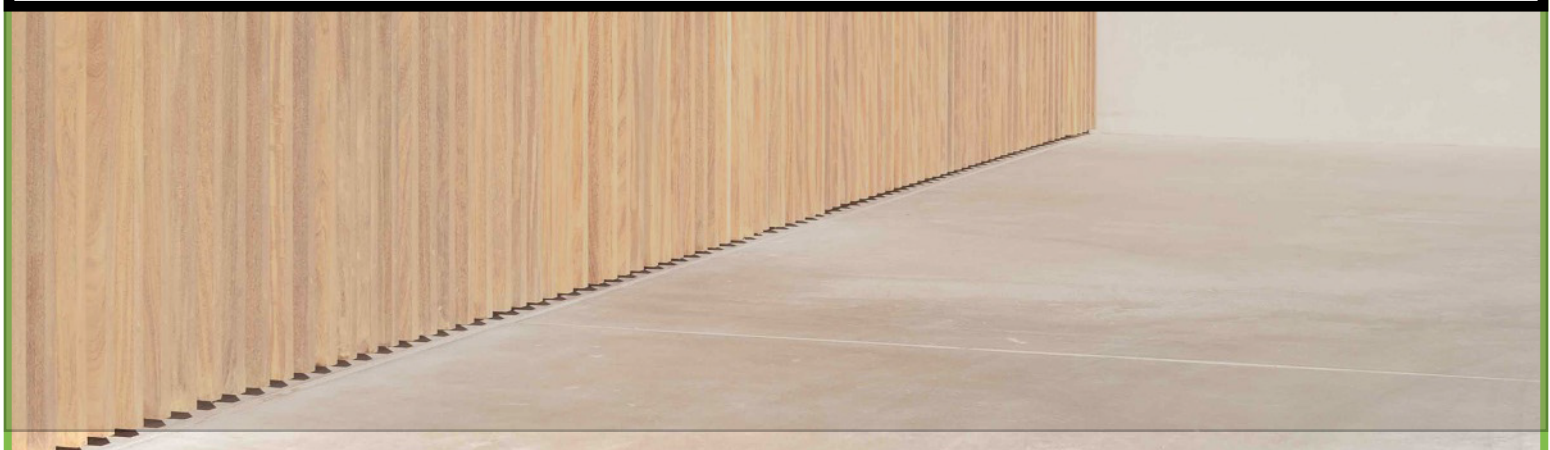
## Option 4

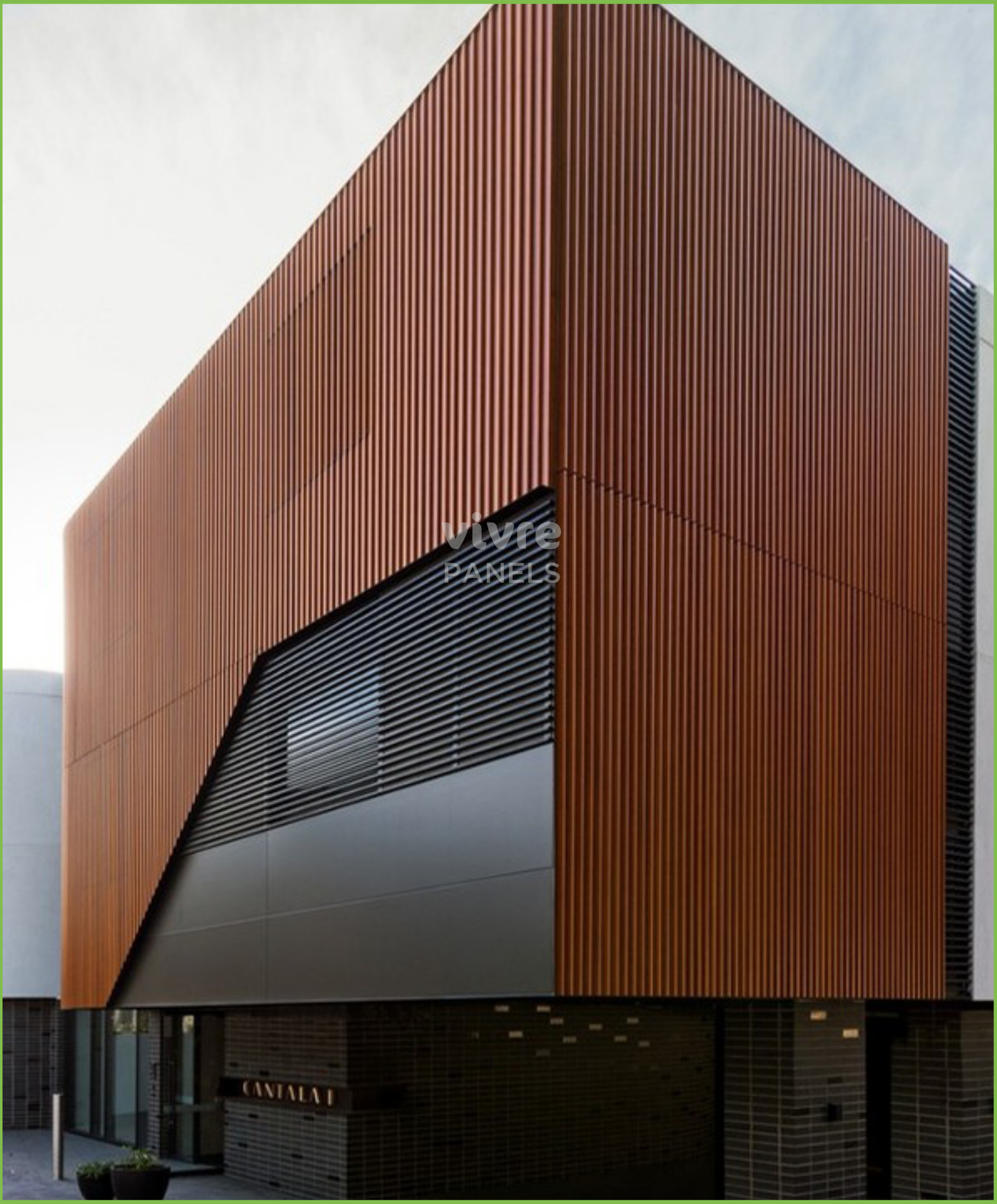
Base Structure





## **APPLICATION PICTURES**



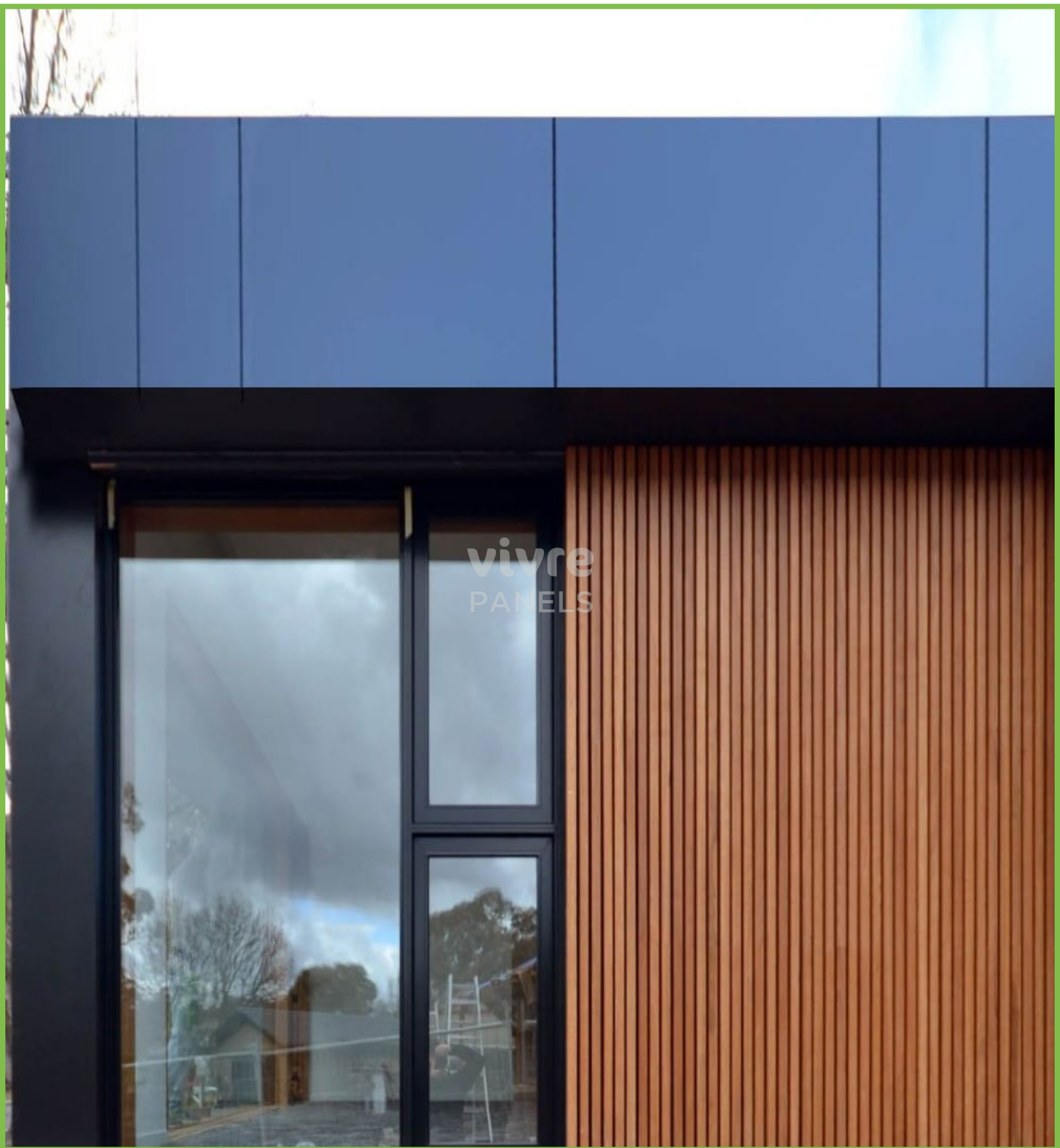


vivre  
PANELS

CANTALAI







**vivre**  
PANELS

A photograph of a modern building's entrance. The facade features large white panels and vertical wood slat panels. A dark door with a vertical glass insert is centered. Two black rectangular light fixtures are mounted on the wood slat panels. The entrance is reached via concrete steps on a paved area. The text 'vivre PANELS' is overlaid on the door.

vivre  
PANELS



vivre  
PANELS



vivre  
ANELS



**vivre**  
PANELS



vivre  
PANELS



vivre  
PANELS



vivre  
PANELS



vivre  
PANELS



**vivre**  
PANELS



# PRODUCT CATEGORIES



- Flexible Plywood (MLH / Gurjan)
- Birch Plywood
- Rubberwood Finger Joint Board
- Keuring (Gurjan) Plywood
- Oriented Strand Board (OSB)
- Laminated (Melamine) Plywood
- MDF
- Insulated Softboard (Pin Board)
- Malaysian Solid Wood Door



- Teak Veneers
- Reconstituted Veneers
- Imported Veneers (< 4 mm)
- Exotic Veneers (.55+)



- Vivre PVC Foam Boards
- Vivre PVC Solid Doors
- Vivre PVC Grill Boards (CNC Jalis)



- Vivre Profiles
- Vivre PETG Sheets
- Evowood: Solid Wood Panels
- Vivre PVC Marble Sheets
- Vivre Louvers
- Vivre WPC Exterior Profiles



[info@vivrepanels.com](mailto:info@vivrepanels.com)

[www.vivrepanels.com](http://www.vivrepanels.com)



[@VivrePanels](https://www.instagram.com/@VivrePanels)



[facebook.com/VivrePanels](https://www.facebook.com/VivrePanels)

Vivre products add natural beauty to your spaces. Colour variance, weave irregularities and shading that appears in these products are to enhance natural beauty and are not imperfections. Utmost care has been taken to provide accurate descriptions and technical specifications. Please excuse errors and omissions, if any. No guarantee / warranty of the product after installation (dimensional tolerance +/- 5 to 10%). Technical specifications and products are subject to change without prior intimation. Use same batch material to avoid colour variations. Vivre confirms that all products are free from manufacturing defects and perfectly fit for use in normal conditions.